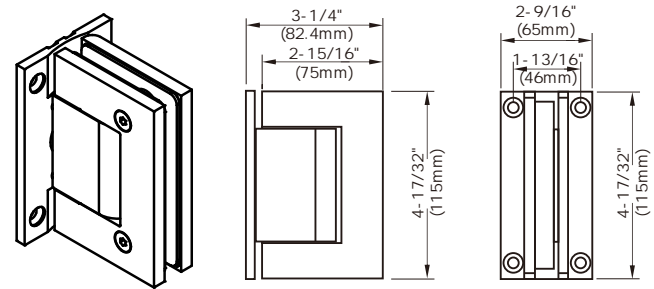


CEL
 GLASS HARDWARE
www.Celglasshardware.com

Tel: 19298889605

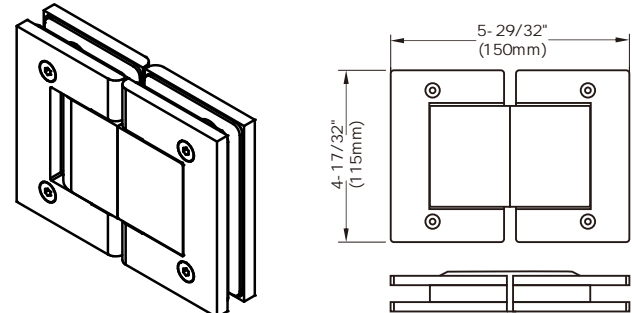
ITEM# HW037

90° GLASS-TO-WALL OR POST MOUNT HINGE

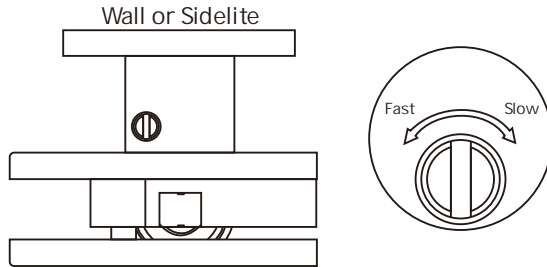


ITEM# HW180

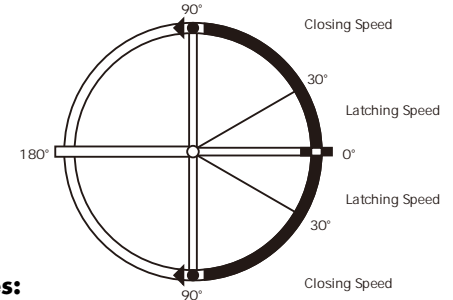
180° GLASS-TO-GLASS HINGE



Closing speed adjustment:



1. To start, fully wind down (in Slow direction) the No.1 and No.2 speed adjusting valves.
 2. Unwind the No.1 and No.2 valves by 1/4 of a turn (in the Fast direction).
 3. Adjust the No.2 valve to ideal latching speed.
 4. Adjust the No.1 valve to ideal closing speed.
 5. Turn no more than 1/4 turn each time you adjust the valves.
- Important: Do not unwind them more than 2 complete turns or they will lose oil and are not repairable.**



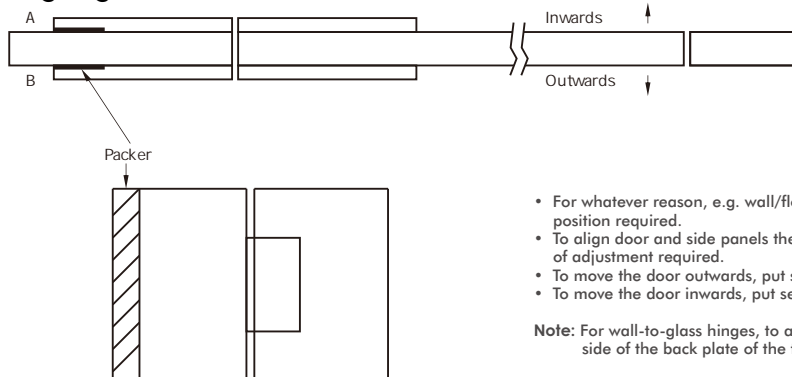
Features:

Latching speed: 30°-0° (adjust by valve2)

Closing speed: 65°-30° (adjust by valve1)

Glass thickness(mm)	Gasket usage	Max. load capacity (kg)	Overall dimension (mm)
8	4	60	150×115
10	4		82.4×115
12	2		

Aligning Door with Side Panels



- For whatever reason, e.g. wall/floor alignment, some hinges may not close exactly onto side panels, or the exact position required.
- To align door and side panels there are two different sized white wedged packers in the box, depending on amount of adjustment required.
- To move the door outwards, put selected packer along the outside edge of the hinge (A).
- To move the door inwards, put selected packer along the outside edge of the hinge (B).

Note: For wall-to-glass hinges, to adjust the door closing position put white packers (select size) behind the opposing side of the back plate of the top hinge.